

hottube

Tubular heater Ø 5.0 mm



hottube

Tubular heater Ø 5.0 mm

Components

We provide our customers with an extensive portfolio of technically mature products from the field of heating elements, thermal sensors and control technology. Since 1973, we have manufactured heating elements in Germany, and since 2002, we have been continuously developing our production location in Malta.

The manufactured products are usually individually-tailored to the customer – in extremely small unit numbers or in large quantities, at an attractive price. Our core process is organized highly efficiently using our own software, and we provide customer storage in all significant global markets. We work with our own specialists in order to select the best product for our customers.

Technical key features

Diameter	5.0 mm / 0.197 inch
Diameter tolerance	± 0.1 mm / ± 3.94 mils
Sheath material	Stainless Steel, Incoloy or Nickel
Max. Sheath temperature	700 °C / 1292 °F
Wattage tolerance*	± 10 %
High voltage resistance*	1000 V AC in straight condition
Insulation resistance*	≥ 5 MΩ at 500 V DC
Leakage current*	≤ 0.5 mA at 253 V AC
Max. Sheath surface load	10 W/cm ² / 64.5 W/inch ² , according to application (depending on heated length)
Length min.	300 mm / 11.8 inch, straight
Length max.	3000 mm / 118.1 inch, straight
Length tolerance	± 1.5 %
Length UB _a	25 mm / 0.98 inch
Length UB _b	25 mm / 0.98 inch
Length tolerance UB	± 5 mm / ± 0.197 inch
Minimum bending radius	<ul style="list-style-type: none"> ■ Stainless Steel $R_{min} = 6.0 \text{ mm} / 0.24 \text{ inch}$ (internal) ■ Incoloy $R_{min} = 10.0 \text{ mm} / 0.39 \text{ inch}$ (internal) ■ Nickel $R_{min} = 8.0 \text{ mm} / 0.31 \text{ inch}$ (internal)
Not bendable area	30 mm / 1.18 inch, on both ends
Max. voltage	277 V, standard 230 V
Connection options**	M 2.5 with set of nuts and washers made of stainless steel, ceramic insulator

* tested at environmental temperature

** additional connection options available upon request

Available Versions

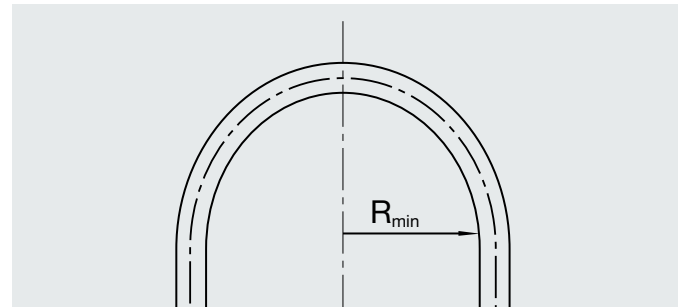
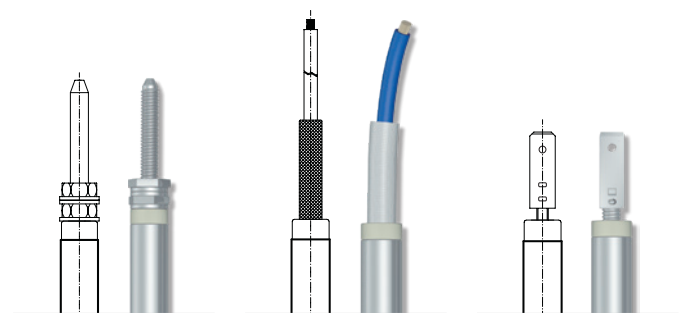
- straight
- bent according to benchmark 1:1 drawing

Options

- Custom length
- Custom connection options
- Custom wattage

Application fields

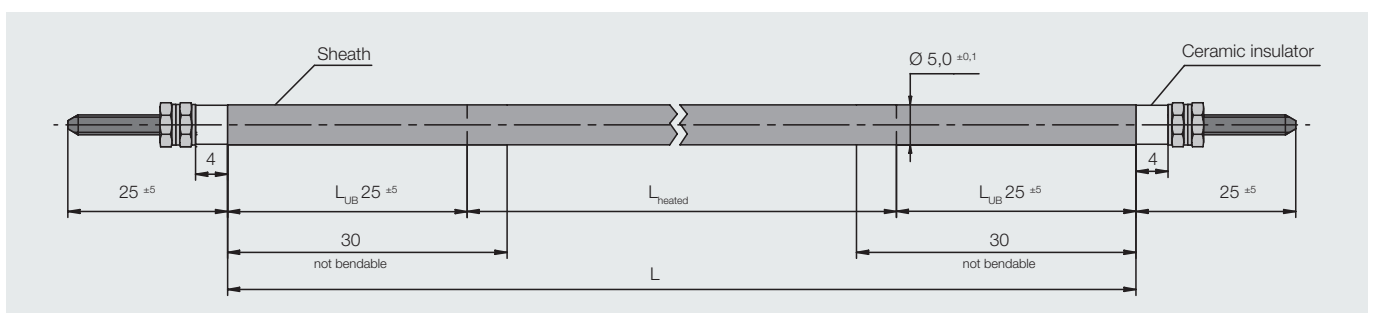
- Plastics industry
- Apparatus construction
- Casting industry
- Packaging industry
- Laboratory industry

Minimum bending radius

Custom connection options


Threaded pins M2.5
with set of nuts and
washers, Temp. resist.
350 °C / 660 °F

Insulated Ni-leads
Glass silk:
up to 230 °C / 445 °F
PTFE:
up to 230 °C / 445 °F
Silicone:
up to 180 °C / 350 °F

Flat plug
W = 6.3 mm /
0.248 inch,
Temp. resist.
350 °C / 660 °F





hotset

Hotset GmbH
Hueckstraße 16
58511 Lüdenscheid
Germany

Phone +49 / 23 51 / 43 02-0
Fax +49 / 23 51 / 43 02-25

www.hotset.com